

*elite* Series



**AVA LED**

**CR-OR 3**  
Data Sheet

QUALITY IN DETAIL

**OUTDOOR SERIES**

CR-OR 3 PRO "P3,91" | CR-OR 3 PLUS "P3,91"



- 02-03 ○ Series and Features
- 04-05 ○ Product Details
- 06-07 ○ Size - Product Photo
- 08-09 ○ Cabinet Detail - Safety
- 10-11 ○ Installation Guides
- 12-13 ○ Accessories - Company Info

- Advanced High Brightness Black technology,
- Advanced High Refresh Rate,
- Fast installation of panel to Light Frame,
- Just Signal person to install/uninstall, saving labor cost
- Die-Casting Aluminum frame design,  
No noise, lower power consumption, good heat dissipation.
- Low Weight and Ultra thin Cabinet

# *elite*

Series



## CR-OR 3 PRO "P3,91"

- High Refresh Rate: 3840Hz
- B Class Led Chip
- High Quality PCB
- High Quality MASK

## CR-OR 3 PLUS "P3,91"

- High end Refresh Rate: 3840Hz
- A Class Led Chip
- Best Quality PCB
- Best Quality MASK
- High end Refresh Rate
- 18 Bit
- Clear View
- Free Rotation
- HDR
- 4K Refresh Rate

FEATURES



## Features

- \*\*\* FRONT SERVICE
- \*\*\* Light Weight
- \*\*\* Aliminum Die-Casting
- \*\*\* 500x500 Cabinet : 7kg
- \*\*\* Advenced and safety Lock
- \*\*\* Nova Star Controller
- \*\*\* SPACE BLACK
- \*\*\* WATERPROOF
- \*\*\* Flat or Curver Series " optional "

## ○ TECHNICAL SPECIFICATION

| MODEL NAME<br>Version              | CR-OR 3<br>PRO   | CR-OR 3<br>PLUS  |
|------------------------------------|--|--|
| Pixel Pitch                        | 3,91mm   | 3,91mm   |
| Module Change                      | FrontServices  | FrontServices  |
| Pixel Configuration                | SMD 1921   | SMD 1921   |
| LED                                | Space Black  | Black Shell  |
| Processing                         | 16 Bit   | -  |
| Processing                         | -  | 18 Bit   |
| Pixel Density / m2                 | 65536  | 65536  |
| Resolution/SQM                     | 256 x 256  | 256 x 256  |
| Cabinet Resolution 500x500         | 128x128  | 128x128  |
| Pixel Density / Cabinet            | 16384  | 16384  |
| Module Size (mm)                   | 250 x 250  | 250 x 250  |
| Cabinet Size (mm) " OPTIONAL "     | 500 x 500 x 85   | 500 x 500 x 85   |
| Module Per SQM                     | 16 MODULE  | 16 MODULE  |
| Module Resolution                  | 64 x 64  | 64 x 64  |
| Weight Per Panel Net kg. 500x500mm | 7  | 7  |
| Rotation per 90 Degree             | ✓  | ✓  |
| Free Rotation (with R5)            | ○  | ✓  |
| Mapping                            | ○  | ✓  |
| Clear View                         | ○  | ✓  |
| Low Latency                        | ○  | ✓  |
| HDR                                | ○  | ✓  |
| Power Consumption (<w/sqm)         | 750  | 750  |
| Average Power Consumption (<w/sqm) | 262,5  | 262,5  |
| Driving Method                     | 1/16   | 1/16   |
| Brightness                         | >4600 Nits   | >4700 Nits   |
| Refresh Rate                       | -  | -  |
| Refresh Rate High Refresh          | >3840Hz  | >3840Hz  |
| Refresh Quality                    | High Quality   | High Quality   |
| High Refresh (PLL inside)          | -  | ✓  |
| High Refresh Power Saving          | ✓  | ✓  |
| High Refresh Dynamic Power Saving  | -  | ✓  |
| Driving IC Type                    | PWM  | PWM  |
| Refrate Quality 2                  | High Quality   | 4K Refresh Rate  |
| No Waterless Ripple of Camera      | >%75   | >%90   |
| Cabinet Material                   | Die-Casting Aliminum                                   | Die-Casting Aliminum                                   |
| Horizontal Viewing Angle           | 140 (±30)  | 140 (±30)  |
| Vertical Viewing Angle             | 140 (±30)  | 140 (±30)  |
| Expected LED Lifetime %50          | 100,000 Hours  | 100,000 Hours  |
| IP Rating                          | IP 65  | IP20   |
| PCB Quality                        | Best Quality   | Best Quality   |
| Module - Mask Quality              | Best Quality   | Best Quality   |
| LED Chip                           | Class B  | Class A  |
| Picture / Video Quality            | High Quality   | Best Quality   |
| Grey Scale                         | 65536  | 262144   |
| Control Systems                    | Nova Star  | Nova Star  |
| Operating Temperature Range        | -20 – +60 (±10)  | -20 – +60 (±10)  |
| Operating Humidity Range           | -40°C~+60°C,10%-90%RH                                  | -40°C~+60°C,10%-90%RH                                  |
| Voltage Range                      | 200 ~240VAC  | 200 ~240VAC  |
| Packing include                    | Plate-Power-Cat5 Cable                                 | Plate-Power-Cat5 Cable                                 |
| Certificate                        | CE/EMC/LVD-ATR-EUR1<br>ISO-9001:2015<br>ISO-14001:2015 | CE/EMC/LVD-ATR-EUR1<br>ISO-9001:2015<br>ISO-14001:2015 |

The data written in the Data sheet may different by + - 10%

# *elite* Series



## PRODUCT CABINET SIZE

size : 500mm



size : 500mm

7KG

size : 70mm



QUALITY IN DETAIL

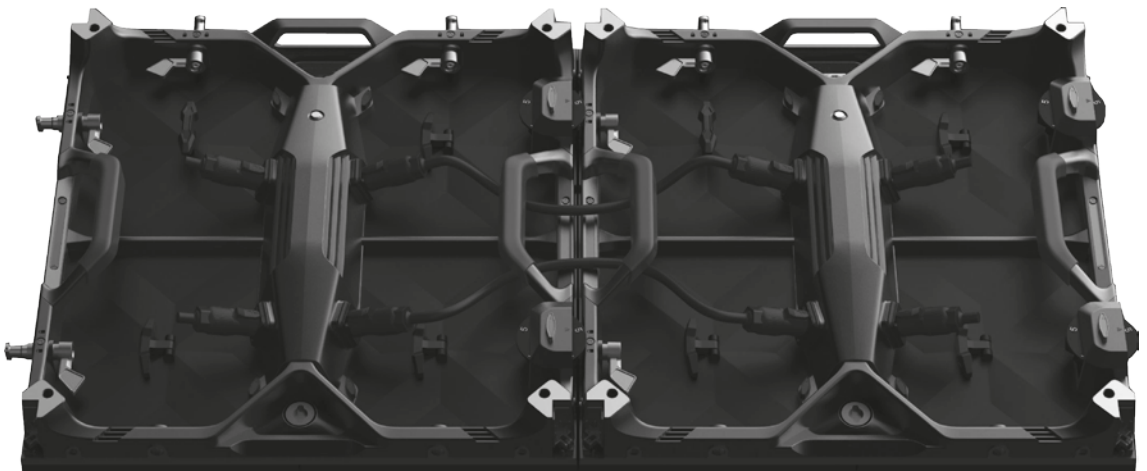
CABINET SIZE

*elite*

Series



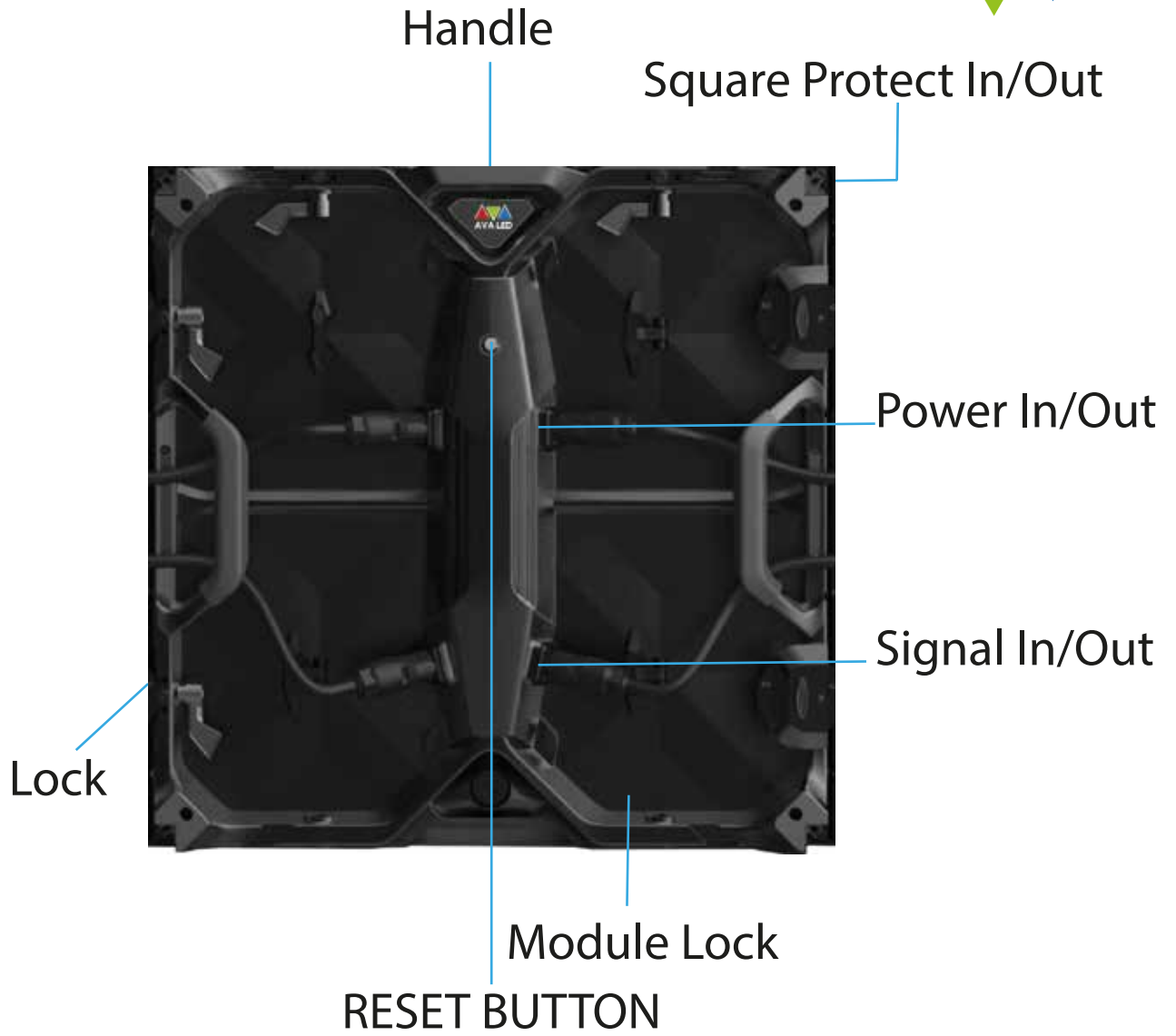
PRODUCT PHOTO



QUALITY IN DETAIL



CABINET DETAIL



### Front Service

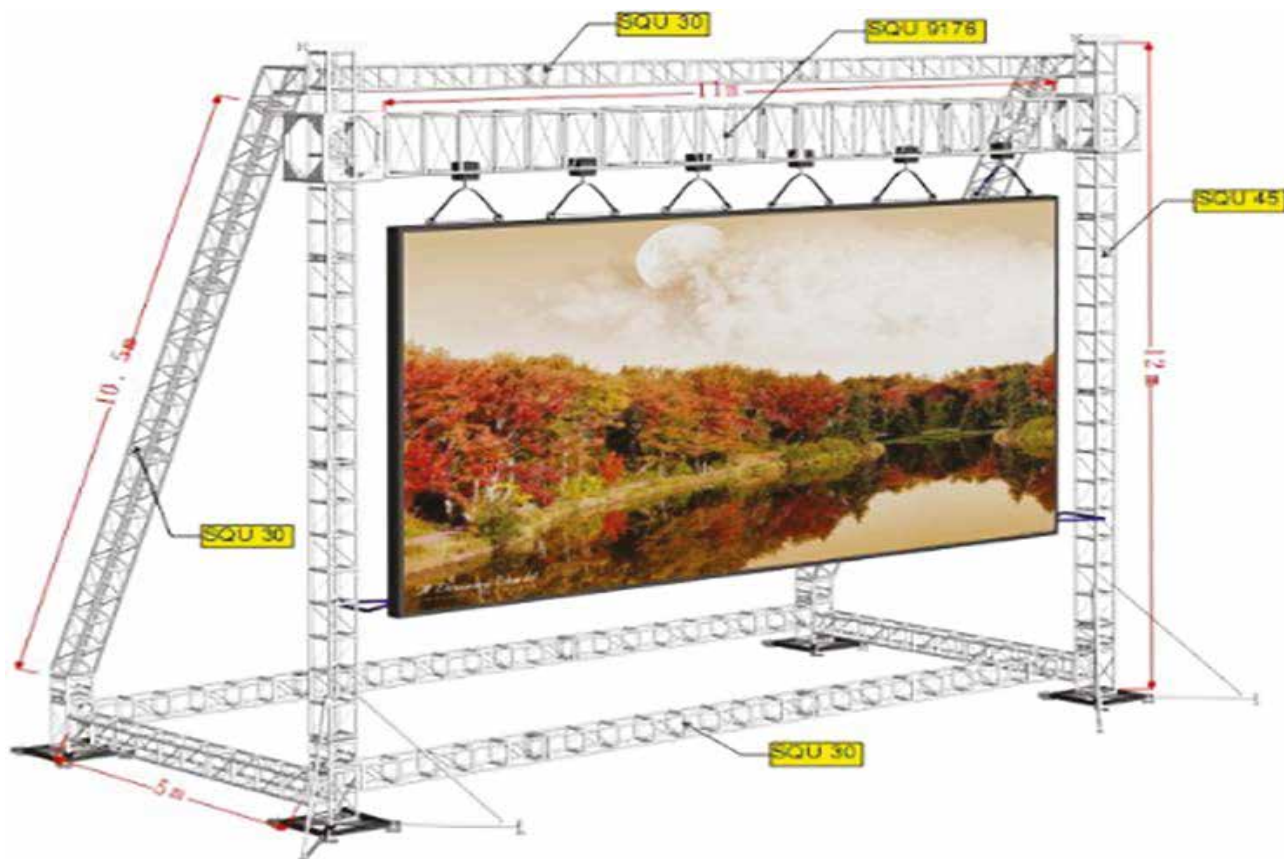


# elite

Series

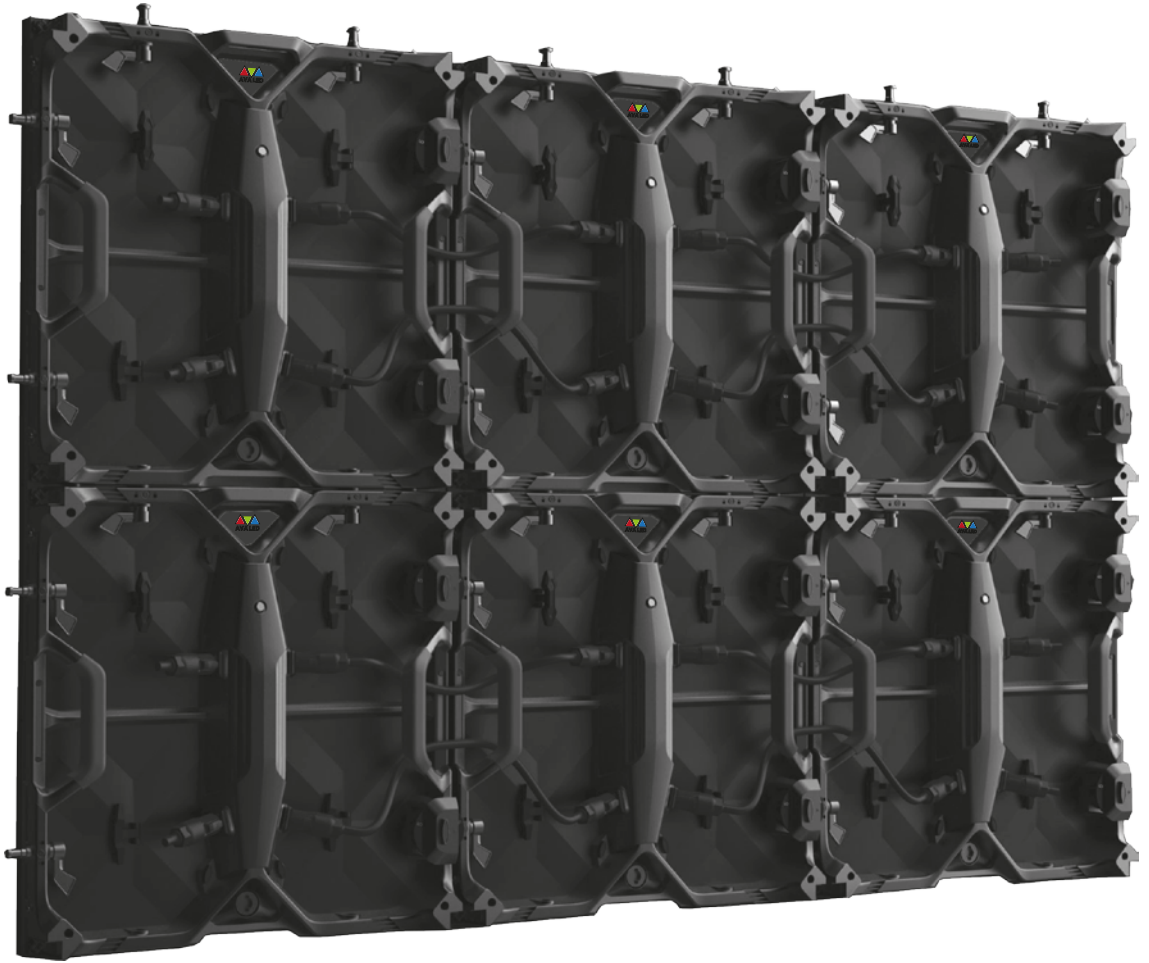


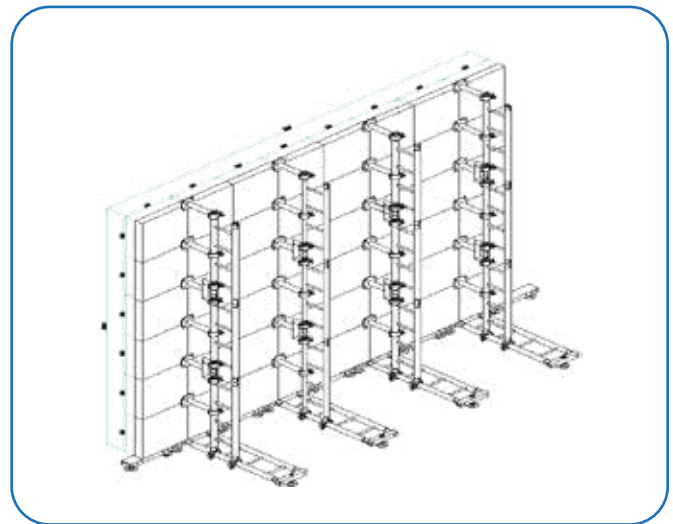
SAFETY



QUALITY IN DETAIL

INSTALLATION

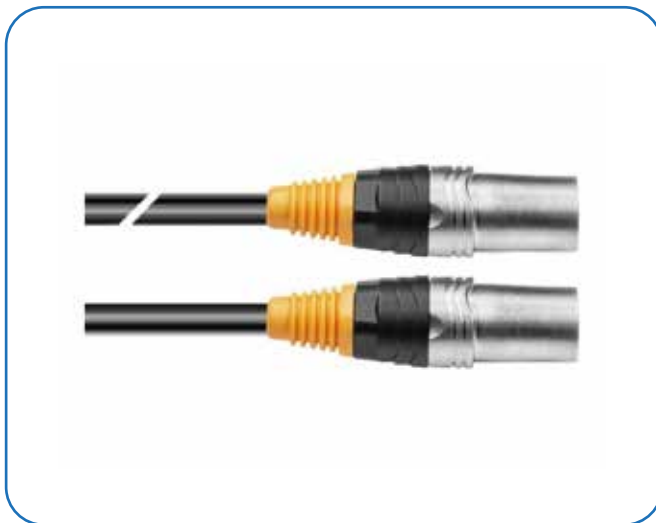




INSTALLATION



# elite Series



# ACCESSORIES



# AVA LED

[www.avaledscreen.com](http://www.avaledscreen.com)

[info@avaledscreen.com](mailto:info@avaledscreen.com)

AVA GROUP GMBH

Adress: Goethestraße 7D - 40237 Düsseldorf / Germany

Phone : +49 211 730 64 817

